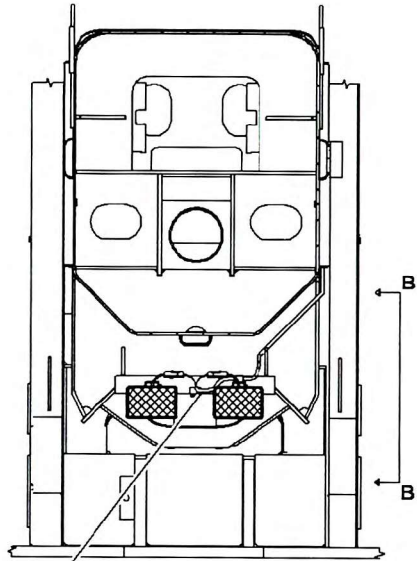
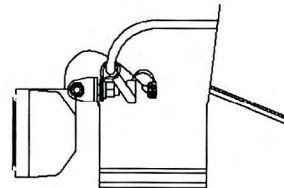


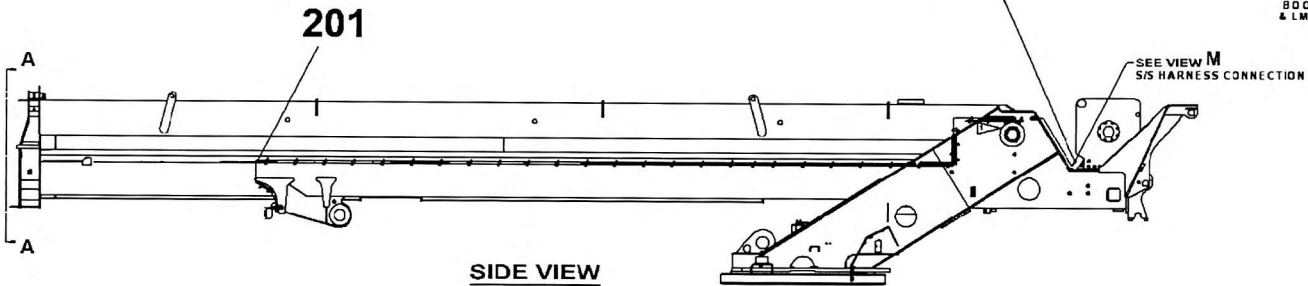
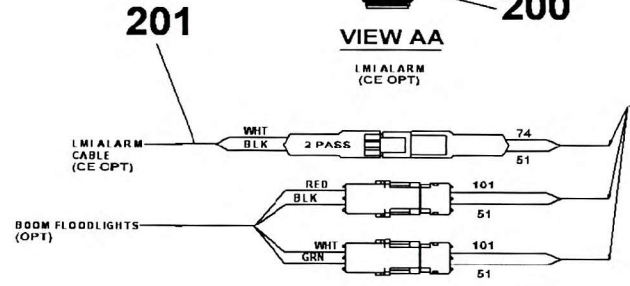
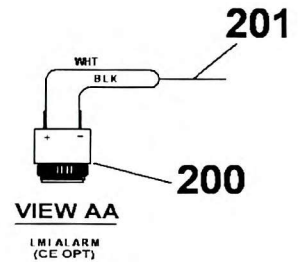
(SHEET 1 OF 1)



SEE VIEW AA
LMIALARM
SECTION A-A
BOOM LIGHTS



VIEW B-B
BOOM LIGHTS



SIDE VIEW
T/T AND BOOM
CABLE INST'L
SCALE NONE

DETAIL M
BOOM FLD L TS, 3RD WRAP
& LMIALARM CONNECTIONS

ITEMS NOT SHOWN
NBR 202 TIE,CABLE